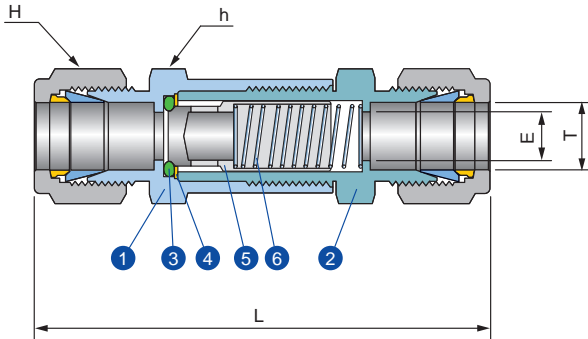


VC3 series

(3000 psig, Fixed Cracking Pressure)



Materials of Construction

| No. | Description | Materials | |
|-----|---------------|-----------|-------|
| | Body Material | 316SS | Brass |
| 1 | Inlet Body | 316SS | Brass |
| 2 | Outlet Body | 316SS | Brass |
| 3 | O-ring | Viton | NBR |
| 4 | Gasket | 304SS | |
| 5 | Poppet | 316SS | Brass |
| 6 | Spring | 302SS | |

Poppet - Silicone based lubricant
 Inlet Body - Molybdenum dry film lubricant

Ordering Information & Dimensions

| Part Number | End Connection | | Cv | Dimensions (mm) | |
|---------------------------|---------------------|--------------|------|------------------|-------|
| | Inlet | Outlet | | L | h |
| U-02T- | 1/8" Uni-Lok | | 0.16 | 54.5 | 15.87 |
| U-04T- | 1/4" Uni-Lok | | | 59.0 | |
| U-M06T- | 6mm Uni-Lok | | | 59.0 | |
| VC31 F-02N- | 1/8" Female NPT | | | 0.47 46.5 | |
| M-02N- | 1/8" Male NPT | | | 47.3 | |
| M-04N- | 1/4" Male NPT | | | 52.6 | |
| MU-04N04T- | 1/4" Male NPT | 1/4" Uni-Lok | | 56.0 | |
| VC32 U-06T- | 3/8" Uni-Lok | | 1.48 | 80.4 | 19.05 |
| U-M10T- | 10mm Uni-Lok | | | 81.7 | |
| F-04N- | 1/4" Female NPT | | | 54.5 | |
| M-06N- | 3/8" Male NPT | | | 70.6 | |
| VC33 U-08T- | 1/2" Uni-Lok | | 1.70 | 85.6 | 22.22 |
| U-M12T- | 12mm Uni-Lok | | | 86.0 | |
| F-06N- | 3/8" Female NPT | | | 76.2 | |
| M-08N- | 1/2" Male NPT | | | 83.0 | |
| VC34 U-10T- | 5/8" Uni-Lok | | 2.60 | 88.0 | 28.58 |
| F-08N- | 1/2" Female NPT | | | 91.2 | |
| VC35 U-12T- | 3/4" Uni-Lok | | 5.20 | 91.8 | 31.75 |
| F-12N- | 3/4" Female NPT | | | 87.5 | |
| M-12N- | 3/4" Male NPT | | | 86.0 | |
| VC36 U-16T- | 1" Uni-Lok | | 8.00 | 106.3 | 34.93 |
| F-16N- | 1" Female NPT | | | 123.0 | |
| M-16N- | 1" Male NPT | | | 115.0 | |

ISO7/1 Tapered Threads (PT) are available for all fractional sizes of VC series valves. Add "R" as a suffix instead of "N".

Pressure Rating at 70°F(21°C)

| Series | 316SS | | Brass | |
|-------------|-------------|-----|-------|-----|
| | psig | bar | psig | bar |
| VC31 | 3000 | 207 | 3000 | 207 |
| VC32 | 3000 | 207 | 3000 | 207 |
| VC33 | 2000 | 138 | 1500 | 103 |
| VC34 | | | | |
| VC35 | | | | |
| VC36 | | | | |

Cracking - Reseal Pressure

(psig)

| Nominal Cracking Pressure | Cracking Pressure Range | | Reseal Pressure |
|---------------------------|-------------------------|------|-----------------|
| | Min. | Max. | |
| 1/3 | 0 | 3 | up to 6 |
| 1 | 0 | 4 | up to 5 |
| 3 | 2 | 7 | up to 4 |
| 10 | 7 | 15 | 3 |
| 25 | 20 | 30 | 17 |
| 50 | 40 | 60 | 35 |
| 75 | 60 | 90 | 53 |
| 100 | 80 | 120 | 70 |

Dimensions are for reference only and are subject to change without prior notice.